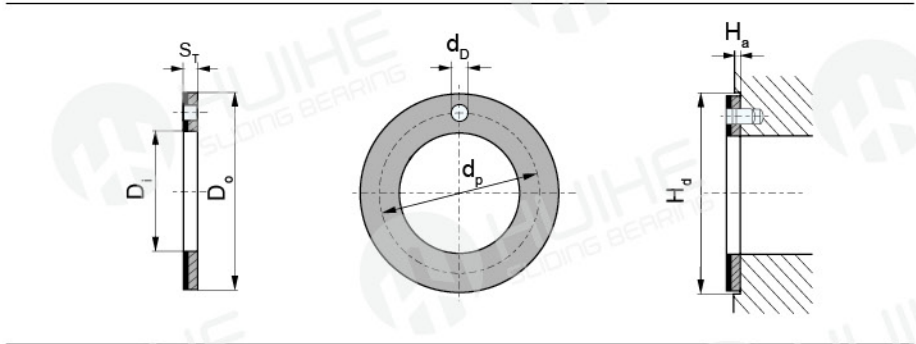
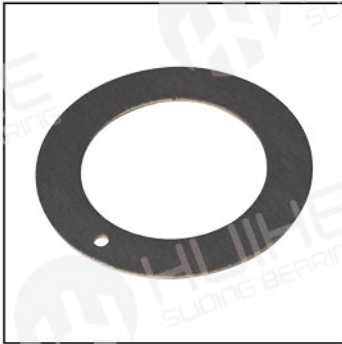


## SF-1WC 垫片规格及公差 SF-1WC Thrust Washer Specification & Tolerance

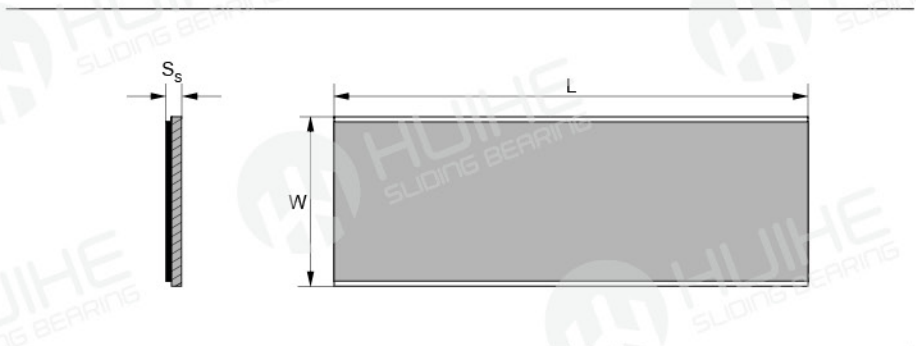
www.huihebearing.com



单位Unit: mm

| 轴径<br>Shaft<br>$D_s$ | 型号规格<br>Standard No. | 垫片尺寸 Washer size |            |            |                 | 安装尺寸 Assemble size  |               | $H_d+0.12$ |     |    |   |    |
|----------------------|----------------------|------------------|------------|------------|-----------------|---------------------|---------------|------------|-----|----|---|----|
|                      |                      | $D_i+0.25$       | $D_o-0.25$ | $S_T-0.05$ | $d_p \pm 0.125$ | $d_D^{+0.4}_{+0.1}$ | $H_a \pm 0.2$ |            |     |    |   |    |
| 8                    | W10                  | 10               | 20         | 1.5        | 15              | 1.5                 | 1             | 20         |     |    |   |    |
| 10                   | W12                  | 12               | 24         |            | 18              |                     |               | 2          | 1   | 24 |   |    |
| 12                   | W14                  | 14               | 26         |            | 20              |                     |               |            |     | 3  | 1 | 26 |
| 14                   | W16                  | 16               | 30         |            | 23              |                     |               |            |     |    |   | 4  |
| 16                   | W18                  | 18               | 32         |            | 25              | 4                   | 1.5           | 32         |     |    |   |    |
| 18                   | W20                  | 20               | 36         |            | 28              |                     |               | 4          | 1.5 | 36 |   |    |
| 20                   | W22                  | 22               | 38         |            | 30              | 4                   | 1.5           |            |     | 38 |   |    |
| 22                   | W24                  | 24               | 42         |            | 33              |                     |               | 4          | 1.5 | 42 |   |    |
| 24                   | W26                  | 26               | 44         |            | 35              | 4                   | 1.5           |            |     | 44 |   |    |
| 26                   | W28                  | 28               | 48         |            | 38              |                     |               | 4          | 1.5 | 48 |   |    |
| 30                   | W32                  | 32               | 54         |            | 43              | 4                   | 1.5           |            |     | 54 |   |    |
| 36                   | W38                  | 38               | 62         |            | 50              |                     |               | 4          | 1.5 | 62 |   |    |
| 40                   | W42                  | 42               | 66         |            | 54              | 4                   | 1.5           |            |     | 66 |   |    |
| 46                   | W48                  | 48               | 74         |            | 61              |                     |               | 4          | 1.5 | 74 |   |    |
| 50                   | W52                  | 52               | 78         | 65         | 4               | 1.5                 | 78            |            |     |    |   |    |
| 60                   | W62                  | 62               | 90         | 76         |                 |                     | 4             | 1.5        | 90  |    |   |    |

## SF-1SP 板材规格及公差 SF-1SP Strip Specification & Tolerance



单位Unit: mm

| 型号规格<br>Standard No. | 长度 $L \pm 1$ | 宽度 $W \pm 1$ | 厚壁 Wall thickness<br>$S_s-0.05$ |
|----------------------|--------------|--------------|---------------------------------|
| SP                   | 500          | 150          | 1.0                             |
| SP                   | 500          | 150          | 1.5                             |
| SP                   | 500          | 150          | 2.0                             |
| SP                   | 500          | 150          | 2.5                             |